

HL221

Presentation:

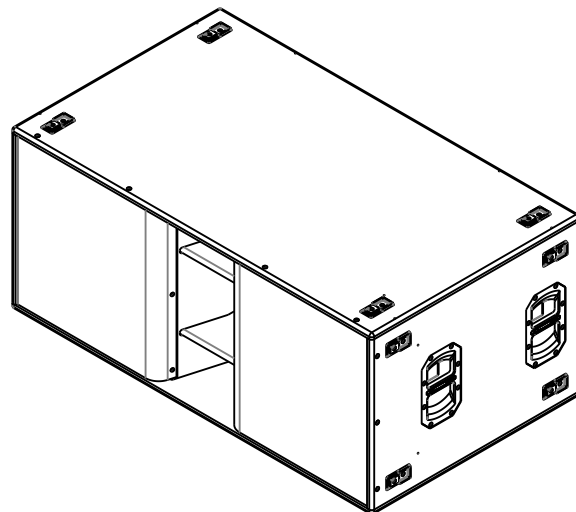
The HL series is a horn-loaded subwoofer range designed to satisfy the need for an extreme high-SPL sub bass loudspeaker system for use in applications requiring accurate and powerful reproduction of low frequency energy at very high levels.

This HL221 incorporates 2 (two) high performance 21" extended LF Neodymium transducer (4.5in voice coil) with high heat dissipation to allow the subwoofer to produce a continuously high SPL over a long time, increased program power handling and lower power compression delivering a uniform and stable frequency response at all power levels. The transducers feature water repellent cones (to both sides of the membrane) and epoxy coated plates prepared to perform properly under inclement weather conditions.

The enclosure is constructed from 18mm plywood having a rugged and durable polyurea coating, equipped with recessed carrying handles and stacking feet. The cabinet is prepared to fit heavy duty wheels to aid in handling and transportation.

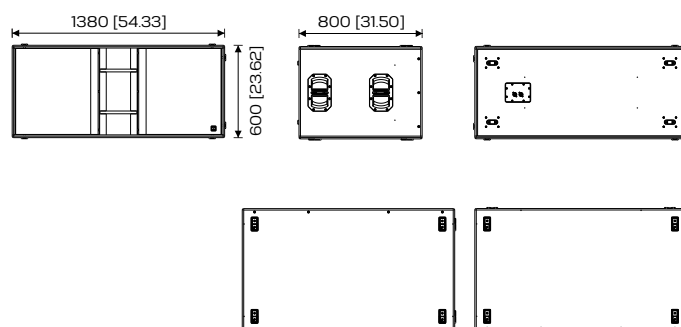
The HL series is engineered to provide maximum output with minimal distortion and smooth extended low frequency response and thanks to its long throw range, accuracy, high definition bass reproduction, this HL221 is suited for both fixed and rental systems, nightclubs, large scale concert touring and festival applications integrated into line array applications.

A transport dolly cart is available.



Features:

- Double 21" horn-loaded subwoofer
- High power density, high level output, excellent "punch"
- 2x 21" (4.5in VC) Neodymium EU transducer
- Extended sub frequency response to 25Hz
- 2x NL4 parallel-connected
- Rugged and durable 18mm birch plywood construction
- Black textured Polyurea coating
- Powder coated custom perforated steel grille
- Recesses on the top to facilitate the stacking
- Heavy duty wheel casters on the back (optional)



Technical specifications:

Acoustical

Type	High power compact subwoofer
Enclosure design	Horn-loaded, vented
Power rating	3600W / 8000W (RMS/Program) 14000W (Peak)
Frequency range	25 - 110Hz (-3dB)
Nominal impedance	40hm
Transducer type	1x 21" LF (4.5in VC) Neodymium EU transducer
Crossover frequency	24Hz Butterworth 24dB (low cut filter)
SPL (1W/1kHz)	146dB @ 1m
Sensitivity	108dB
Connector	2x NLT8MP speakon with switch to select: LF1 & LF2: 1+1- (parallel-connected) LF1: 2+2- & LF2: 3+3-

Mechanical

Enclosure	18mm birch plywood, rugged polyurea coating
Grille	Custom perforated metal grilles w/ acoustic foam
Color	Black or white textured
Hardware	12 custom rugged rubber feet, 2 side handles 4 rubber feet to protect the back panel 16x M6 inserts for wheels (back panel)
Dimensions (WxHxD)	1380x600x800mm 54.33x23.62x31.50in
Weight	105Kg 231.48lb

Dimensions in mm [in]

